



The Green Products Company

"Building A Greener Tomorrow!"

A DIVISION OF ACOUSTICAL SURFACES, INC.

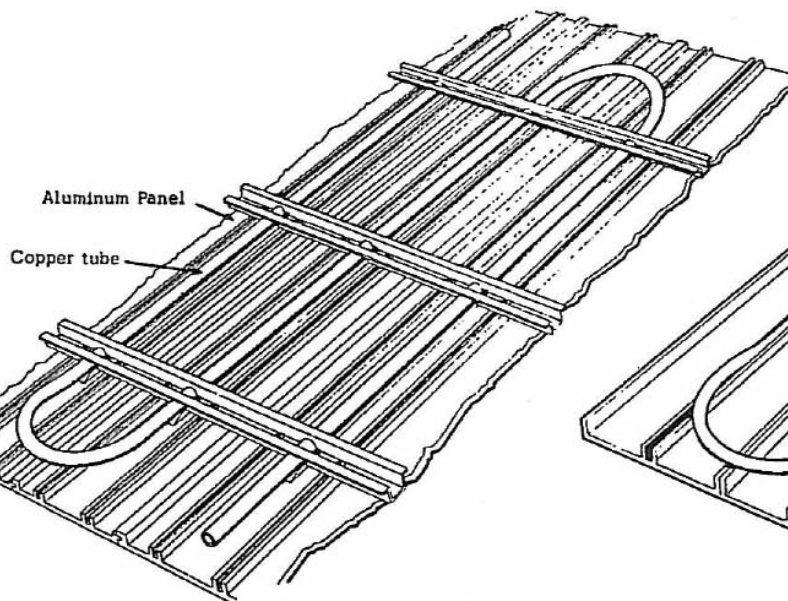
123 Columbia Court North ■ Suite 201 ■ Chaska, MN 55318
(952) 448-5300 ■ Fax (952) 448-2613 ■ (800) 708-0517

Email: sales@thegreenproductscompany.com
Visit our Website: www.thegreenproductscompany.com

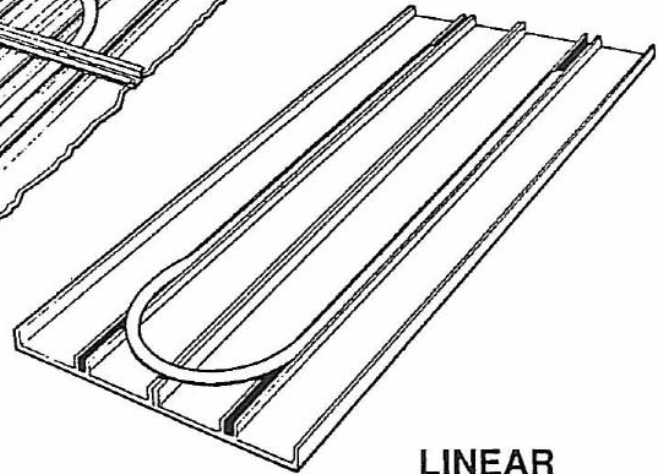
LINEAR RADIANT PANELS



▲ SQUARE GROOVED MODEL NO. SRC-SQ-GRV



U.S. Patent No. 4,338,995

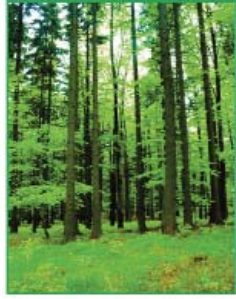


LINEAR RADIANT PANELS

THE LINEAR RADIANT PANEL by Shelley can be integrated into any modular concept by offering Architects and Engineers a wide choice of surface configurations. As long as the design is linear, the cost of a custom design is limited to the nominal cost of an extrusion die.

The performance of the LINEAR RADIANT PANEL is identical to a six lateral High Performance Panel, thereby employing energy saving features such as reduced owning and operating costs, low maintenance, draftless environments and long life expectancy.

Continued on next page...



The Green Products Company

"Building A Greener Tomorrow!"

A DIVISION OF ACOUSTICAL SURFACES, INC.

123 Columbia Court North ■ Suite 201 ■ Chaska, MN 55318
(952) 448-5300 ■ Fax (952) 448-2613 ■ (800) 708-0517

Email: sales@thegreenproductscompany.com

Visit our Website: www.thegreenproductscompany.com

RADIANT ENERGY SYSTEMS from SHELLEY RADIANT CEILING COMPANY

The SHELLEY RADIANT CEILING HIGH PERFORMANCE RADIANT HEATING and COOLING SYSTEM can accomplish all the sensible heating and cooling necessary and offers the Architect and/or Engineer low operating cost, acoustical control, flexibility and ease of design.

Radiant energy, the transfer of energy between two surfaces of different temperatures, provides what most engineers consider to be the ultimate in human indoor comfort.

Only Radiant Heating and Cooling transmits energy uninterrupted through space satisfying

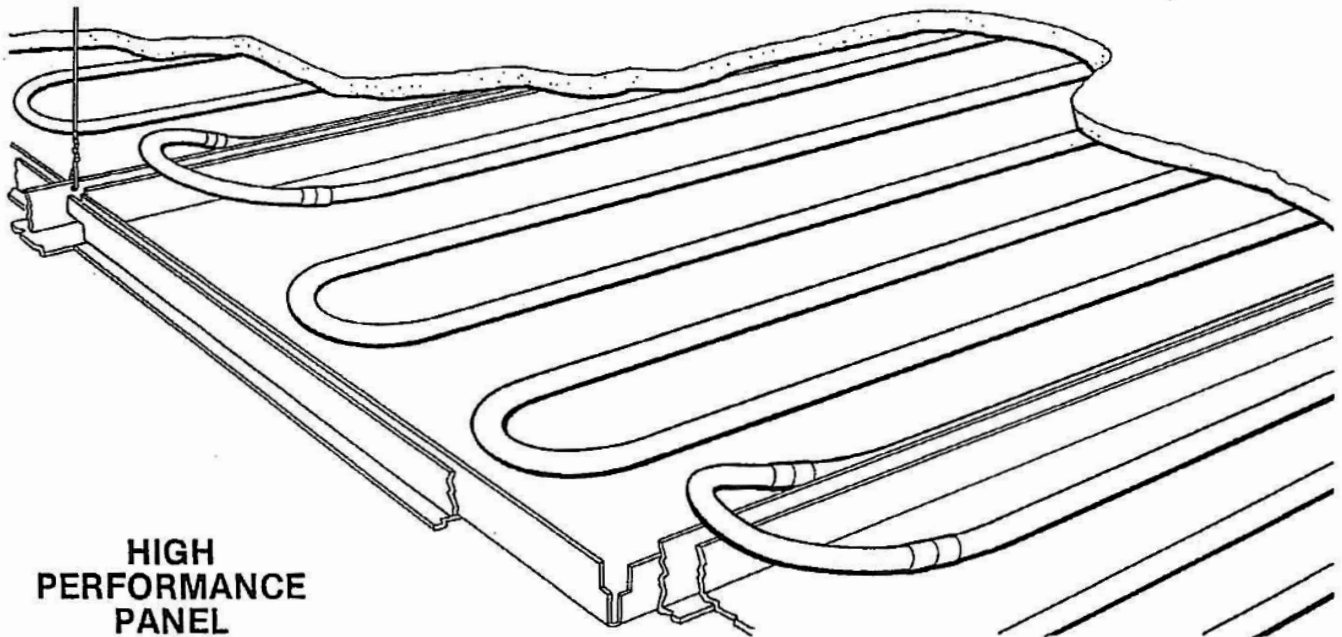
the four variables of comfort:

Temperature
Relative Humidity
Air Motion
Surface Temperature

By its inherent architectural features, Radiant Heating and Cooling Panels take the radiation off the wall and put it into the ceiling where it belongs thus allowing for architectural freedom of design.

Shelley Radiant Ceiling Company produces two types of panels that will satisfy your Radiant Heating and Cooling needs. They are described briefly here.

For more in-depth information, Shelley Radiant Ceiling Company will be pleased to have a sales representative deliver to you our comprehensive engineering catalogue.



HIGH PERFORMANCE PANEL

Shelley Radiant Ceiling Company now presents to Architects and/or Engineers a wide range of perforation patterns applicable to the High Performance Radiant Heating and Cooling Panel.

Shelley Radiant Ceiling Company will perforate Radiant Ceiling Panels and matching acoustical panels in any pattern you wish to design restricted only to the Architects' and Engineers' creativity and

the soldering areas of the panel. Architects and Engineers can now design any size hole, straight or diagonal patterns, any shape hole and any center.