

The Green Products Company

"Building A Greener Tomorrow!"

A DIVISION OF ACOUSTICAL SURFACES, INC.

123 Columbia Court North ■ Suite 201 ■ Chaska, MN 55318
(952) 448-5300 ■ Fax (952) 448-2613 ■ (800) 708-0517

Email: sales@thegreenproductscompany.com
Visit our Website: www.thegreenproductscompany.com



CUSTOM INTERIOR SOLID CORE DOORS

GREEN QUALITIES:

- 80% Recycled Content
- Available with Certified Wood

FEATURES:

- Custom manufactured door to any size specifications
- 1-3/4" door assembly
- Comes pre-hung and assembled
- Ready to stain / paint to match your decor
- Heavy duty hinges – 4-1/2" x 4-1/2" nickel or brass finish (*Optional*)
- Prepped for standard hardware
- Red oak standard

DESCRIPTION:

Our interior solid core doors are ideal for offices, hotels, conference rooms or any application where a quality, sustainable interior door is required. The doors come in oak, ready to stain with nickel or brass hardware and other custom options are available.

DOOR & FRAME FEATURES:

Guarantee: Doors are guaranteed to be free of defects in workmanship and quality for a period of two years.

DOOR SPECIFIC FEATURES:

Configuration: Doors are available in a flush design or with vision elite and as single or pairs of hinged doors.

Sizes: Select from standard, or custom pairs as large as 8' w x 10' h.

Hardware: Door, frame, hinges are supplied as part of the assembly.

Finishes: Oak ready to stain. Optional maple, cherry, birch and any wood species are available.



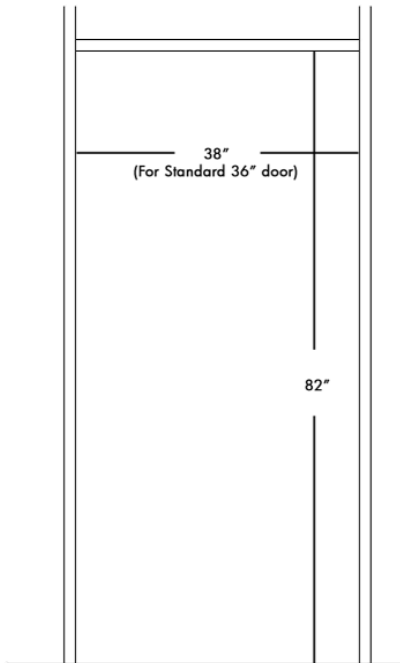
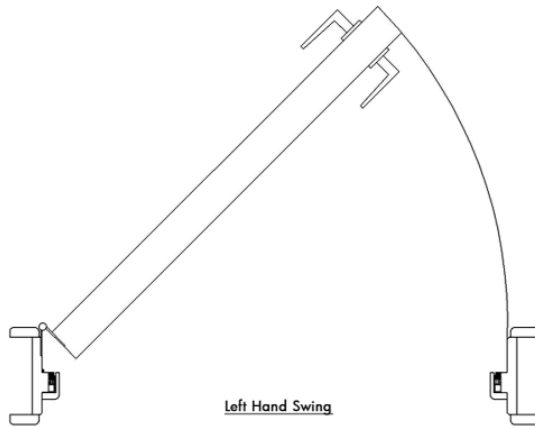
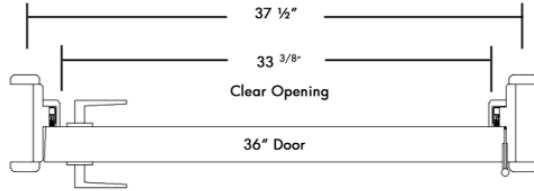
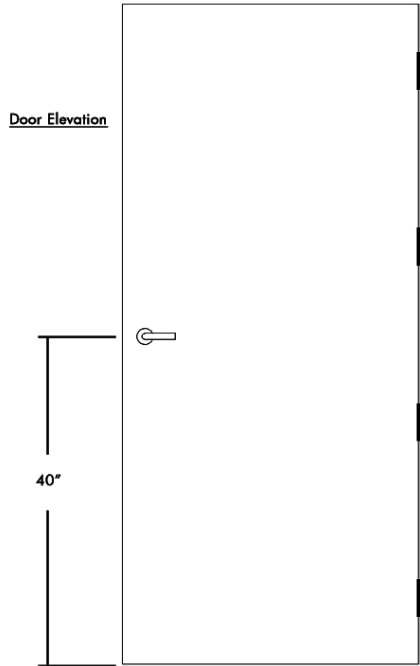
The Green Products Company

"Building A Greener Tomorrow!"

A DIVISION OF ACOUSTICAL SURFACES, INC.

123 Columbia Court North ■ Suite 201 ■ Chaska, MN 55318
(952) 448-5300 ■ Fax (952) 448-2613 ■ (800) 708-0517

Email: sales@thegreenproductscompany.com
Visit our Website: www.thegreenproductscompany.com



Rough Opening Dimensions 36" X 80" Door

Frame Height

